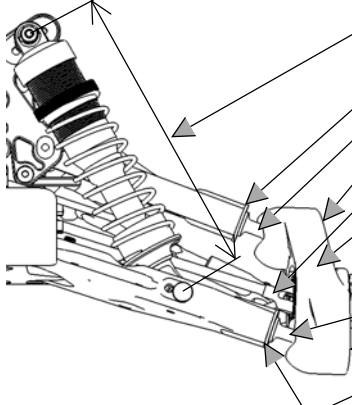


<p><b>Name:</b> _____</p> <p><b>Date:</b> _____</p> <p><b>Track:</b> _____</p>	<p><b>Track Condition</b></p> <p>Size:    <input type="checkbox"/>Open    <input type="checkbox"/>Med.    <input type="checkbox"/>Tight</p> <p>Traction: <input type="checkbox"/>High    <input type="checkbox"/>Med.    <input type="checkbox"/>Low</p> <p>Surface:  <input type="checkbox"/>Smooth    <input type="checkbox"/>Med.    <input type="checkbox"/>Bumpy</p>	<p><b>Result</b></p> <p>Race time / Lap: _____</p> <p>Best lap (1Lap): _____</p>
--	---	--

**Front Suspension**



Rebound stop: \_\_\_\_\_

Kingpin ball spacer: \_\_\_\_\_

E0160    E2123(Steel)

E0159    E2124(Steel)

E2218    E0220(CVD)

E2146    E2147(1.5)

E0239    E0240(1mm)

E0241(2mm)

E0160    E2123(Steel)

E0159    E2124(Steel)

Kingpin ball spacer: \_\_\_\_\_

Ride height: \_\_\_\_\_

Toe angle: \_\_\_\_\_

Lower arm plate: \_\_\_\_\_

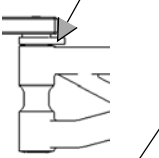
E2144A,B

E2154(CFRP 1mm)

E2155(CFRP 1.2mm)

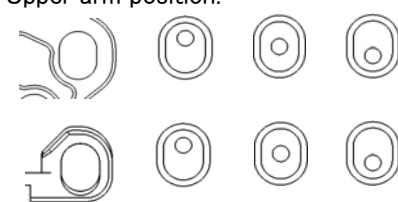
Anti roll bar: \_\_\_\_\_

Upper arm spacer: \_\_\_\_\_

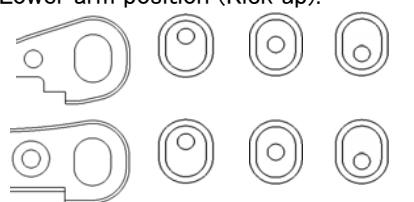


Lower arm spacer: \_\_\_\_\_

Upper arm position:



Lower arm position (Kick up):




**Front Shocks**

Piston: \_\_\_\_\_ Oil: \_\_\_\_\_

Spring: \_\_\_\_\_

Shock position:



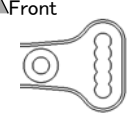
Pivot ball position: Front    Rear

Damper stay:    E2562(Aluminum)

E2565(CFRP)

**Ackermann**

▲Front



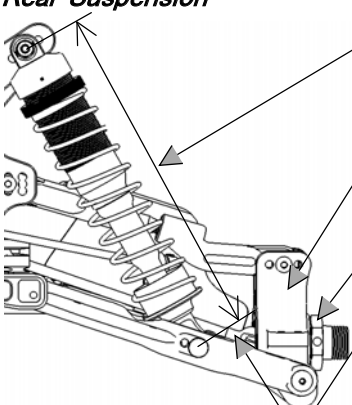
**Front Upper Plate**

E2148D    E2158(CFRP)

**Servo Saver Arm**

E2301A    E2310(Aluminum)

**Rear Suspension**



Rebound stop: \_\_\_\_\_

E2131

E2134(Aluminum)

E0239    E0240(1mm)

E0241(2mm)

E2219    E0220(CVD)

Ride height: \_\_\_\_\_

Camber angle: \_\_\_\_\_

Lower arm plate: \_\_\_\_\_

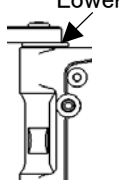
E2145A,B

E2156(CFRP 1mm)

E2157(CFRP 1.2mm)

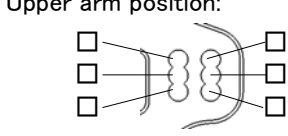
Anti roll bar: \_\_\_\_\_

Lower arm spacer: \_\_\_\_\_

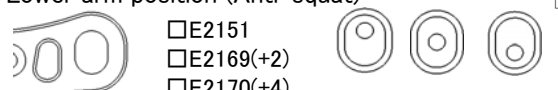


Upright spacer: \_\_\_\_\_

Upper arm position:



Lower arm position (Anti-squat)

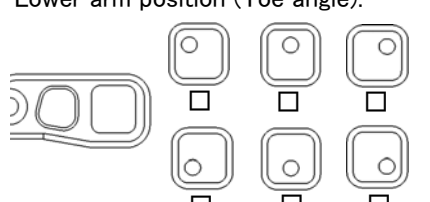


E2151

E2169(+2)

E2170(+4)

Lower arm position (Toe angle):

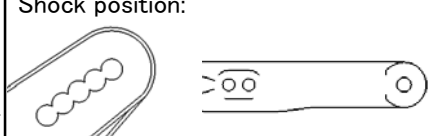


**Rear Shocks**

Piston: \_\_\_\_\_ Oil: \_\_\_\_\_

Spring: \_\_\_\_\_

Shock position:



Pivot ball position: Front    Rear

Damper stay:    E2563(Aluminum)

E2566(CFRP)

**Center Shaft**

E2261,E2262


E0223,E0259 CVD    E2228,E2229

**Tension Rod**

Front: E2107A(Long)    E2107B(Short)

Rear:    E2148C    E0803(Rubber)

**Ballast**



\_\_\_\_\_ g    \_\_\_\_\_ g

**Engine**

Type: \_\_\_\_\_ Plug: \_\_\_\_\_ Reducer: \_\_\_\_\_

Muffler: \_\_\_\_\_ Fuel: \_\_\_\_\_ Gasket: \_\_\_\_\_

Engine mount: E0701(Standard)    E2713(One piece)

**Differential**    **Oil**

Front: 44/13T    42/12T

Rear:    44/13T    42/12T

Center: 44T    46T

47T    48T

**Tyres**

	<b>Front</b>	<b>Rear</b>
Type: _____	_____	_____
Compound: _____	_____	_____
Inserts: _____	_____	_____
Wheel: _____	_____	_____

**Clutch** Clutchbell:    13T    14T

	φ 0.9	φ 0.95	φ 1.0	φ 1.05	φ 1.1
<b>A</b>	<input type="checkbox"/> C0754	<input type="checkbox"/> E0704	<input type="checkbox"/> E0710		
<b>B</b>	<input type="checkbox"/> C0754	<input type="checkbox"/> E0704	<input type="checkbox"/> E0710		
<b>C</b>	<input type="checkbox"/> C0754	<input type="checkbox"/> E0704	<input type="checkbox"/> E0710		

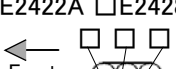
**Body & Wing**

Body: \_\_\_\_\_

Wing: \_\_\_\_\_

Wing stay: E2422A    E2428A(+15)

Wing position: \_\_\_\_\_



Comments